

LED Round multi Pendants Modules

CAUTION: EXTREMELY HEAVY FIXTURE, THE JUNCTION BOX NEEDS TO BE REINFORCED BEFORE INSTALLATION. ALL MOUNTING SCREWS MUST SCREW INTO A MINIMUM OF 1" OF WOOD BEHIND THE DRYWALL. DO NOT MOUNT THIS FIXTURE JUST TO DRYWALL. (Be sure all wood that you screwed into, is secured to the cross beams/ceiling joists behind the drywall)

- 1.** Remove the fixture from its original packaging. Remove the canopy mounting plate from within the canopy and attach it to the electrical junction box on the ceiling using the two screws provided in the hardware package.
- 2.** Select the desired length you would like the fixture to hang down from the ceiling (72" maximum). To set the fixture hanging height, undo the wire safety lock in the center of the canopy until the electrical wire can move freely. Once the wire has been released, you can push the wire up to shorten, or pull the wire down to lengthen. When you have selected your desired length, tighten the wire safety lock in the center of the canopy and the wire will be held tightly in place, **(2a)** then slide the wire safety grip down the wire closest to the inside of the canopy where the wire enters.
- 3.** Mount the canopy to the mounting cross bar first connect all wires correctly L live wire (white to white) N neutral wire (black to black) and G ground (green to green) with provided marrets from the hardware package. **(3b)** Align the four screw hanging downward from the crossbar to the four holes inside the canopy. Push the canopy up towards the ceiling so the screws point through the holes in the canopy. Screw on the four decorative nuts onto the four screws pointing through the canopy to securely install the canopy to the mounting bar.
- 4.** Install acrylic diffuser(s) (4) by screwing into housing. **(4a.)** (DO NOT OVER TIGHTEN)
- 5.** You have now completed the installation of your fixture, please enjoy.

402405CH

INSTALLATION SHEET

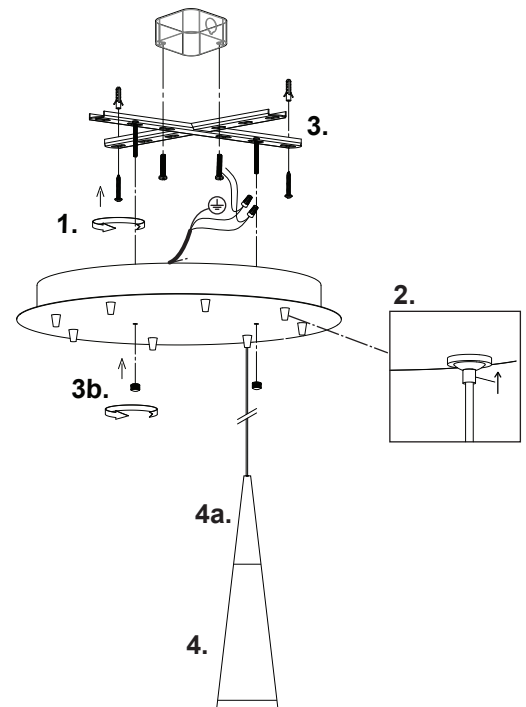
START FROM HERE

- Make sure power is completely off at the fuse box.
- Have your fixture installed by a qualified licensed electrician
- Prepare everything in clear area.
- Wear gloves at all times during this installation.
- Read instructions carefully before you start assembly.
- Keep this instruction sheet for future reference.

Technical Support: 1-877-452-6858

Please Note:

- All Kuzco LED fixtures come with pre-wired LED module(s).
- Unless instructed to do so, please do not touch any part of the LED module(s) as any unnecessary contact with the module could cause permanent damage.
- For dimming, an ELV (Electronic Low Voltage) dimmer is required.



KUZCO

L I G H T I N G

19054 28th Avenue Surrey, BC Canada V3S 6M3
T: 604 538 7162 TF: 1-855 85 KUZCO F: 604 538 7196
W: kuzcolighting.com
20141029